



Rapid Fix- A Unique System for Machine Protection

- Quickly and easily installed;
- Easily dismantled for maintenance;
- A modular system that enables use of different panels; and
- Complies with relevant safety standards. Rapid Fix is especially suitable in industries where industrial robots and other automated high capacity machinery are used. The foot and post are separate, allowing for easy installation. Rapid Fix complies with all the relevant standards for machine security - EN-953 and EN-292.

ADVANTAGES

Rapid Fix is easily installed first by fixing the feet to the floor. Panels are then snapped into place.



Panels are dismantled using an Allen key.

APPLICATION

Machine maintenance is made easy, as panels are dismantled with an Allen key. This prevents unauthorized people from dismantling the panels. Before dismantling, the machine is locked by a padlock on the Safe Lock.



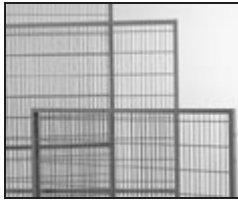
Maintenance can be carried out quickly without unnecessary delay.

FEATURES

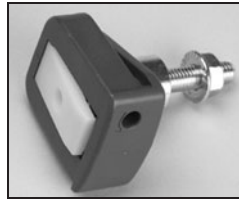
The posts are adjustable in height up to 30 mm due to the unique design of the mounting system. This allows for a larger floor gap if needed, saving valuable floor space.



As the foot and post are separated, the height of the post can be easily adjusted.



Rapid Fix is a modular system, which enables use of different panels such as mesh, fullsteel and polycarbonate.



Panel mounts are made of reinforced polymer, which has a well-documented and tested strength.



The Rapid Fix system meets European Machine Directives.



Ergonomically designed handles for easy use.

FACTS

Product number and length:

Prod. Nr	Post height Post Rapid Fix, RAL 7037	Panel- heights
Post 2 mm lower fittings incl.		
39200021	Post 60x60 L=1400	1200
39200041	Post 60x60 L=1800	1600
39200061	Post 60x60 L=2200	2000
Corner Post 2 mm lower fittings incl.		
39201021	Post 60x60 L=1400	1200
39201041	Post 60x60 L=1800	1600
39201061	Post 60x60 L=2200	2000
Door Post 2 mm lower fittings incl.		
39202001	Post 60x60 L=1400 left	1200
39202011	Post 60x60 L=1400 right	1200
39202021	Post 60x60 L=2200 left	1600, 2000
39202031	Post 60x60 L=2200 right	1600, 2000
Complete foot for post 60x60 fittings incl.		
39700013	Standard foot Kit RAL 7043	
39690980	Platform foot Kit uncoated	

Post dimension:

60x60x2

Standard colours:

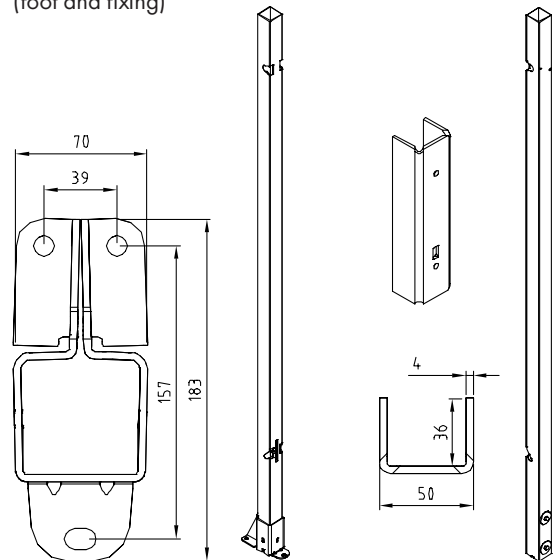
Grey, RAL 7037

Yellow, RAL 1018

Black, RAL 9005

Grey, RAL 7043

(foot and fixing)



Accessories/ Options

- Kit Rapid Fix
Product number: 39700020
- Top cap 60x60
Product number: 89200097
- Top cap 30x20
Product number: 89200098
- Top cap 19x19
Product number: 89200099
- Cover plug Rapid Fix Post
Product number: 89200036
- Pre-setting Fixture
Product number: 39700039

TROAX®

PO Box 662, Swindon, Wiltshire, SN3 5HY, United Kingdom
 Phone: +44 1793 542000 Fax: +44 1793 618784
 E-mail: info@troax.co.uk www.troax.com
 Member of the Gunnebo security group