

Support Post with Footplate

The post allows you to fully extend the mesh fence. The mesh is secured to the post 200mm off the floor (or at the required height) using a fixing clamp. The post is then fastened to the floor by bolting it through the predrilled holes in the footplate. The support post can be used on almost any uneven surface due to its height adjustability and flexibility.

ADVANTAGES

The angle support in combination with the footplate gives the post maximum stability, yet takes up minimal space on the floor.

APPLICATION

The support post can be used to erect all Troax mesh panels.

FEATURES

The support post is available in different lengths and thicknesses of 1.5, 2.0 and 4.0 mm.



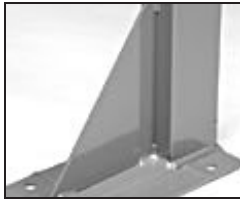
The mesh panels are fixed to the post at the required height from the floor using fixing clamps, making it easy to install on uneven/sloping floors. Easy cleaning is allowed where a floor gap is used.



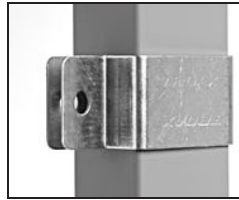
The support post is bolted to the floor with mechanical type anchor bolts or other options as shown overleaf.



The fixing clamp allows the mesh panels to be fixed at an even height.



The footplate is reinforced with a triangular angle support, making the post extremely stable.



Two fixing clamps are fitted to each post to suspend the mesh wall.



All Troax posts are safety tested.



Test results create a model for determining the correct safety distance required for various post combinations.

FACTS

Product numbers and length options:

Prod. Nr	Post height	No of units
29600301	Complete post, 1400mm	
26504108	Fixing clamp-60X40 post	2
29601501	Post	1
89050044	Flanged Bolt M8x55	2
89050525	Flanged M8 nut	2
89200096	Plastic cap 60x40 black	1
29600311	Complete post, 1800mm	
26504108	Fixing clamp-60X40 post	3
29601511	Post	1
89050044	Flanged Bolt M8x55	3
89050525	Flanged M8 nut	3
89200096	Plastic cap 60x40 black	1
29600321	Complete post, 2200mm	
26504108	Fixing clamp-60X40 post	3
29601521	Post	1
89050044	Flanged Bolt M8x55	3
89050525	Flanged M8 nut	3
89200096	Plastic cap 60x40 black	1
26500011	Complete post, 3000mm	
26504108	Fixing clamp-60X40 post	3
26510001	Post	1
89050044	Flanged Bolt M8x55	3
89050525	Flanged M8 nut	3
89200096	Plastic cap 60x40 black	1

Profile dimensions:

The standard stock dimension is 60x40mm with a 1.5mm thickness. Other wall thickness options of 2.0 and 4.0 are available to order.

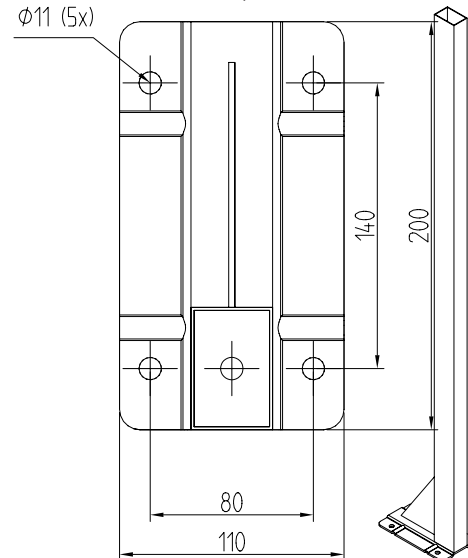
Standard colours:

Grey, RAL 7037

Yellow, RAL 1018

Black, RAL 9005

Other colours available on request.



Accessories/ Options

- Standard fixing: Anchor Bolt M10x50 - 4 per post supplied

Other Options:

- Chemical Fixing M8x120
- Anchor Bolt M10x75
- Mezzanine Floor M8x55 bolt through fixings and spreader plates.



Box 662, Swindon, Wiltshire, SN2 5HY, United Kingdom
 Phone: + 44 1793 542000 Fax: + 44 1793 618784
 E-mail: info@troax.co.uk www.troax.com
 Member of the Gunnebo security group